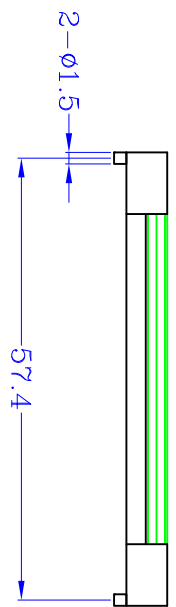
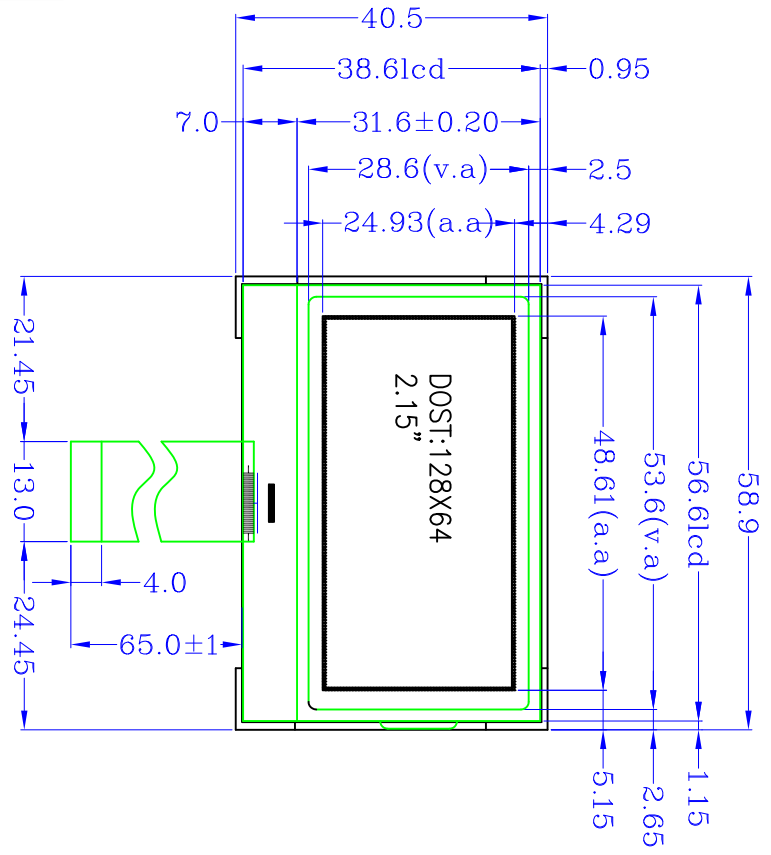
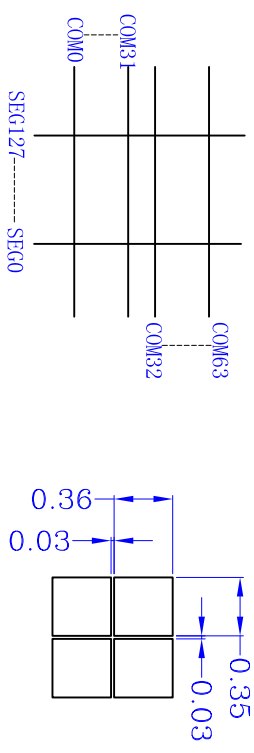
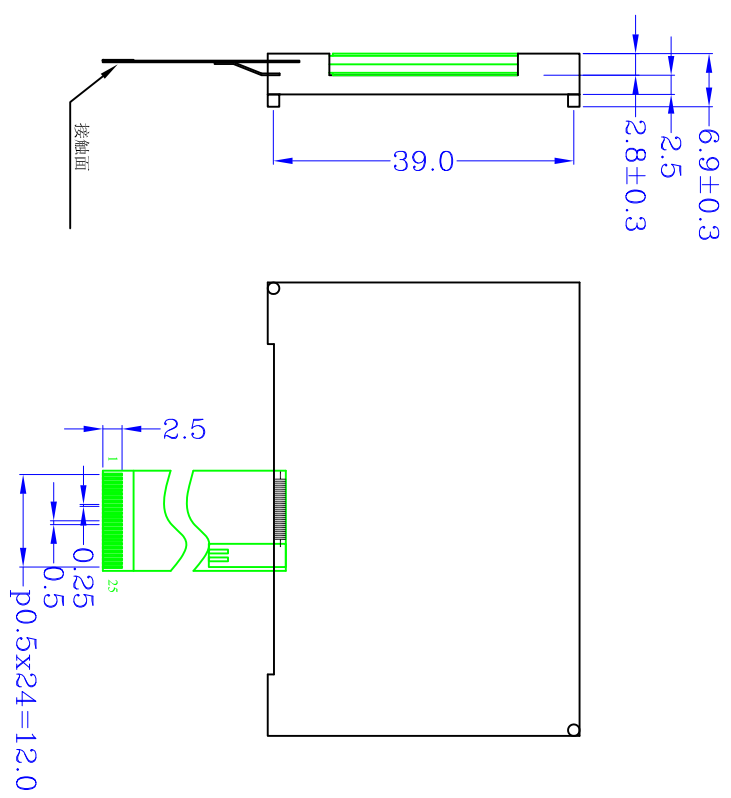


1	VDD
2	P/S
3	C86
4	VSS
5	VG
6	XV0
7	V0
8	VSS
9	VDD
10	DB7(SCT)
11	DB6(SCT)
12	DB5
13	DB4
14	DB3
15	DB2
16	DB1
17	DB0
18	VDD
19	/RD(e)
20	/WR/R/W
21	A0
22	/RST
23	/CS
24	A
25	K



- NOTES:
1. DISPLAY TYPE: FSTN
  2. POLARIZER TYPE: TRANSPARENT, POSITIVE
  3. VIEW DIRECTION: 6:00
  4. OPERATING TEMPERATURE: -20°C~+70°C
  5. STORAGE TEMPERATURE: -30°C~+80°C
  6. VDD: +3.3V
  7. DRIVE METHOD: 1/64DUTY, 1/9BIAS
  8. CONTROLLER: ST7567
  9. BACKLIGHT TYPE: YELLOW-GREEN
  10. BACKLIGHT SUPPLY VOLTAGE: 3.0V



		WAYING (HONGKONG) SHARES LIMITED	
		DESIGN:	MODEL NUMBER:
		WYM12864K24G	UNITS: MM
CHECK:	APPROVE:	VERSION: A	SHEET: 1 OF 1
Unspecified tolerances are ±0.3			DATE: 2015-06-26